



THE DOORS THAT DO WHAT BI-FOLDS DON'T

WHAT DO OUR DOORS DO
THAT BI-FOLDS DON'T?

WHAT DO OUR DOORS DO THAT BI-FOLDS DON'T?

WHAT'S THE ISSUE WITH BI-FOLDS?

WHAT'S THE ISSUE WITH BI-FOLDING DOORS?

- Restricted opening sequence: door is pretty much fully open or fully closed which makes it largely unusable in the UK climate.
- Very poor security, panels can't interlock as they need to fold, so can be levered out of the track and opened by intruders.
- More space needed to operate inside and out. This wastes a lot of living space and restricts the positioning of furniture etc.
- Panels are held together and cannot operate individually making the door more difficult to operate: the weight of the connected panels makes the operation cumbersome when they are folding.
- Lots of visible and unsightly hardware and weather seals - far less attractive to look at.
- Bi-folding doors are notoriously unreliable due to complex gearing and immense weight displacement during operation.
- Panels cannot expand and contract freely. Expansion between connected panels causes considerable stress in the door system.
- Considerable weight displacement when the doors are being operated. This causes the operation to deteriorate, sometimes quite quickly, due to the stress and weight on the complex gearing - real chance of complete operation failure.
- Often difficult to locate a problem so can be expensive and difficult to service when problems occur. Taking a bi-folding door apart on site is a very difficult job.



NWD_WDODDTBD_1.0

WHAT DO OUR DOORS DO THAT BI-FOLDS DON'T?

WHY IS A NEW WAVE DOOR BETTER?



DOORS THAT DO WHAT BI-FOLDS DON'T!

WHY IS A NEW WAVE DOOR BETTER?

- No restricted opening sequence: you can open as much or as little of the door as you want, to suit whatever you need when you need it.
- Security that's never been breached in 12 years! All sliding panels fully interlock with each other and are fully captive in the top & bottom track meaning they cannot be levered out.
- The New Wave's panels only swing open at one end so unlike a bi-fold it does not encroach on your usable living space. Your living space extends literally right up to the edge of your door-both inside and out.
- Panels are not joined together and operate completely independently which makes the New Wave Door much easier to use.
- All patented technology is concealed within the frame for stunning looks with super-clean uncluttered sight lines.
- The patented New Wave Operating System makes the door's operation incredibly simple and therefore very reliable: Remember the New Wave is essentially a Patio Door. **Simplicity Is The Ultimate Sophistication.**
- The New Wave has an excellent weather rating because the panels slide together and fully interlock with each other with a double weather seal. When closed the New Wave becomes a wall rather than a door. They are not designed to fold so they are able to fully engage to form one large panel. It is not difficult to see why this produces a superb weather seal.

NWD_WDODDTBD_1.0

[Click To Watch Our Explanation Video](#)



WHAT DO OUR DOORS DO THAT BI-FOLDS DON'T?

NEW WAVE LEGGERA

NWD_WDODDTBD_1.0



WHAT DO OUR DOORS DO THAT BI-FOLDS DON'T?

NEW WAVE LEGGERA

NWD_WDODDTBD_1.0



"THE ALL-NEW ALUMINIUM NEW WAVE DOOR"

The New Wave Leggera is the latest and most advanced version of the legendary aluminium New Wave Door.

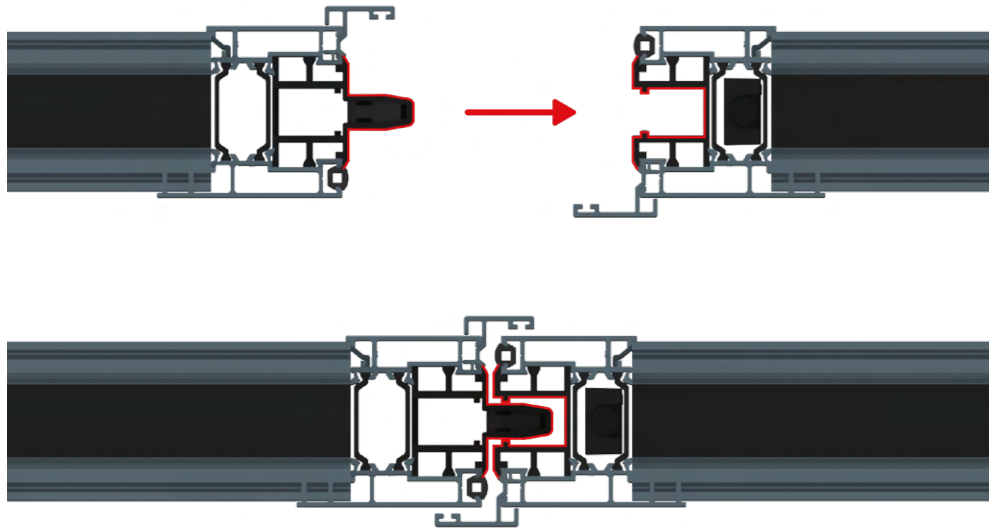
The Leggera not only encapsulates what we have learned from our customers but also features some serious upgrades on a door system that already has a proven track record of reliability, usability, and security.

Featuring the latest pioneering technology derived from over 12 years of expertise and an obsession with excellence, the New Wave Leggera is the absolute pinnacle of slide and swing door technology.

WHAT DO OUR DOORS DO THAT BI-FOLDS DON'T?

SECURITY & VERSATILITY

NWD_WDODDTBD_1.0



Virtually Infinite Opening Combinations



...and anything inbetween!

SECURITY

“SECURITY THAT’S NEVER BEEN COMPROMISED”

Unlike a bi-fold the New Wave Door’s sliding panels fully interlock when closed and are completely captive in both the top and bottom track, in this position the panels form a ‘wall of security’ so they cannot be levered apart or levered out of the track. The sliding panels can only open when they reach the master-door-end of the track and this can only happen if the master door is open, so the master door would need to be breached before any other panel can be forcefully opened. Our bespoke New Wave Decimal 10-point door lock combined with a high security cylinder makes this virtually impossible.

Since its release in 2012, we are not aware of the security of a New Wave Door ever being compromised. We are confident that no other door system can claim this.

VERSATILITY

OPEN WHAT YOU WANT, WHEN YOU WANT, TO SUIT WHATEVER YOU NEED

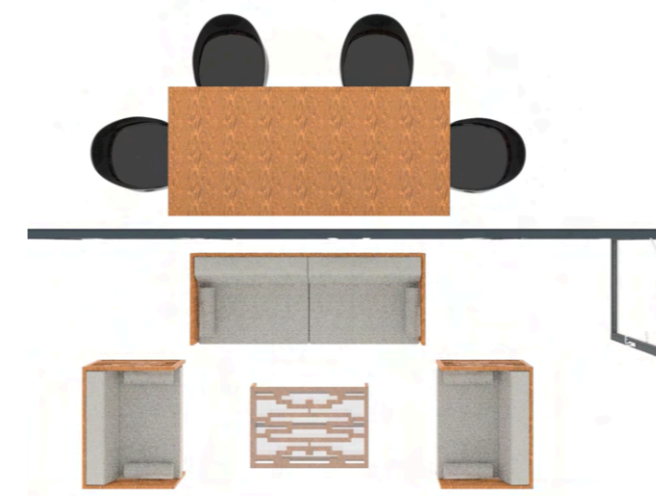
New Wave Door panels can slide and open individually, because of this your New Wave Door can be put in one of the almost infinite opening combinations so it can quickly adapt to whatever the UK weather throws at you or any family party/event.

When you consider the almost infinite amount of opening combinations of the New Wave Door and compare it to the bi-fold door which generally has only 2 positions: open or closed, it does beg the question, who would actually want a bi-fold door in their home?

WHAT DO OUR DOORS DO THAT BI-FOLDS DON'T?

PRACTICALITY & USABILITY

NWD_WDODDTBD_1.0



PRACTICALITY

SIMPLICITY IS THE ULTIMATE SOPHISTICATION

The New Wave Door’s patented technology allows its panels to operate completely independently of each other, meaning each of the panels can slide to the end and then swing open without encroaching into your living space, inside or outside.

This allows furniture to be placed right up to the door, both inside and out, thus the New Wave Door maximises your valuable living space. This is partially achievable with a patio door but with that you sacrifice the ability to open the door completely. The New Wave Door combines all of the advantages of the patio and bi-folding doors with none of the many drawbacks and setbacks.

USABILITY

ERGONOMICALLY DESIGNED FOR EFFORTLESS OPERATION

Simplicity and ease of operation are at the heart of the New Wave Door’s design. Being simple to use and easy to operate means the New Wave Door can be used quickly and easily at any time of year!

Intuitive ergonomic design allows for the door’s effortless operation, sliding panels simply glide along the bottom track as if they were lighter than air itself.

Every New Wave Door has a master/main traffic door which operates like a conventional residential door. Many of the bi-fold configurations don't have this luxury, which is very impractical, especially if the door is needed for regular access.

WHAT DO OUR DOORS DO THAT BI-FOLDS DON'T?

RELIABILITY & GOOD LOOKS

NWD_WDODDTBD_1.0



RELIABILITY

NO COMPLEX GEARING TO GO WRONG, SIMPLY SOPHISTICATED

The New Wave Door was ergonomically designed for optimal user experience. Its patented technology allows the panels to operate independently of each other and open like a conventional front or back door. This patented technology removes the need for complex gearing and ensures the weight of the panels is always supported along the bottom track, just like a conventional patio door. The poor design of a bif-old door displaces considerable weight to the top track and this causes many of their issues.

Intelligent design makes the New Wave Door the most versatile, usable, secure, practical and best looking door on the market without the need for complex gearing and cumbersome mechanisms, making it the most reliable as well!

GOOD LOOKS

CONTEMPORARY STYLING ACHIEVED BY INTUITIVE DESIGN

The clever design of the New Wave Door obviates the need for unsightly handles, hinges and cumbersome operating mechanisms. This gives the New Wave Door clean unbroken sight lines and a sharp contemporary look, this combined with the intuitive design and operation conveys an exceptional feel of quality unmatched by any other door system.

You can rely on the New Wave Door to bring the 'WOW' factor to any project - when fully closed it is simply stunning and when open it gets even better as all the panels stack neatly together at one side and are held together by concealed technology.



DON'T TAKE OUR WORD FOR IT

<p>★ Trustpilot</p> <p>"We have used the old style nasty bi folds they don't compare to the new wave doors far superior doors every job we have had new wave fit them fantastic clients love them SO STAY AWAY FROM THE OLD NASTY DOORS FIT NEW WAVE."</p> <p>★★★★★</p>	<p>★ Trustpilot</p> <p>"Had a 3 door set installed recently, what a fabulous product so much better than bi-fold doors. Zoe in sales was extremely helpful and knowledgeable and the installation team kept me up-to-date through the whole process. Well done New Wave 5 star"</p> <p>★★★★★</p>	<p>★ Trustpilot</p> <p>"Had a 3 door set installed recently, what a fabulous product so much better than bi-fold doors. Zoe in sales was extremely helpful and knowledgeable and the installation team kept me up-to-date through the whole process. Well done New Wave 5 star"</p> <p>★★★★★</p>	<p>★ Trustpilot</p> <p>"Fantastic product with more flexibility than a standard bi-fold door. Good service with reliable back up service too."</p> <p>★★★★★</p>
<p>★ Trustpilot</p> <p>"Fantastic experience from New Wave - the doors are brilliant, the lads who fitted them couldn't have been more helpful and the owner, Claire, is an absolute star!"</p> <p>★★★★★</p>	<p>★ Trustpilot</p> <p>"Fab doors, so pleased From order to install 6 weeks, quick and easy, the install boys didn't hang about but did a outstanding job. So pleased with the end results. So much better then standard bi fold doors."</p> <p>★★★★★</p>	<p>★ Trustpilot</p> <p>"Such a great company to deal with. Their doors are fantastic. Expertly fitted by Connor. It was really easy dealing with them. The doors look great. I would definitely recommend them."</p> <p>★★★★★</p>	<p>★ Trustpilot</p> <p>"Excellent product, 100 x times better than bi-fold doors. Looks great, easy to use, highly recommended"</p> <p>★★★★★</p>

Rated Excellent



WATCH WHAT OUR DOORS DO THAT BI-FOLDS DON'T



Click Here



© New Wave Doors

THE DOORS THAT DO WHAT BI-FOLDS DON'T